

BSW150

NETWORK POWERED SUBWOOFER

BLUESOUND
PROFESSIONAL



The Bluesound Professional BSW150 is a network active subwoofer with streaming capability designed specifically for use in commercial installations. The BSW150 is so discrete you'll forget where you put it. Designed to fit neatly in boardrooms or small commercial establishments, this compact subwoofer digs deeper and plays louder than its bulkier rivals, and can be easily positioned featuring several clever installation options, the BSW150 will fit perfectly into your location of choice.

The BSW150 is based on the established BluOS platform and can be network paired with other Bluesound Professional speakers or streamers to form a complete system which is capable of playing and distributing content from local network storage as well as from a large number of streaming services, including some specifically designed for commercial use, such as SoundMachine, Custom Channels, QSIC and internet radio stations or can be connected to other equipment through its line input.

The loudspeaker features a 8" LF driver powered by a high efficiency amplifier including a low power standby mode. The frequency response of the speaker is 22Hz - 150Hz. Inbuilt DSP allows for equalization as well as other audio processing. Access to content is via wired ethernet or WiFi for glitch-free streaming.

Control of the speaker can be accomplished by any Windows/Mac computer as well as any iOS/Android phone or tablets and the Bluesound Professional CP100 wall mount controller. Customize volume, crossover and phase control directly in the BluOS Controller app. Third party control is also possible with any of the leading systems. Security provisions prevent any unauthorized control of the system. The BSW150 is available in black or white finishes.

FEATURES

- Network streaming Subwoofer speaker system
- 8" LF driver
- 150w power amplifier
- 22Hz - 150Hz frequency range
- DSP providing equalization and other audio processing
- Volume, crossover (50-150 HZ) and phase control directly in the BluOS Controller app
- Flexible and unlimited grouping of zones within a BluOS system
- Integration with local network content storage
- Integration with many streaming services including SoundMachine, Custom Channels, QSIC etc.
- The side panel control is defeatable via the BluOS app
- Integration with a wide variety of internet radio platforms
- PC/Mac, iOS/Android and third-party control
- Security preventing unauthorized control
- Specialist Bluesound Professional control panels
- Support of Hi-Res audio up to 192kHz/24 bit
- Support of MQA content
- Streaming via ethernet for increased reliability (wireless streaming also supported)
- USB input for replay from local connected drives
- Wall mounting with provided bracket
- Black or White finish

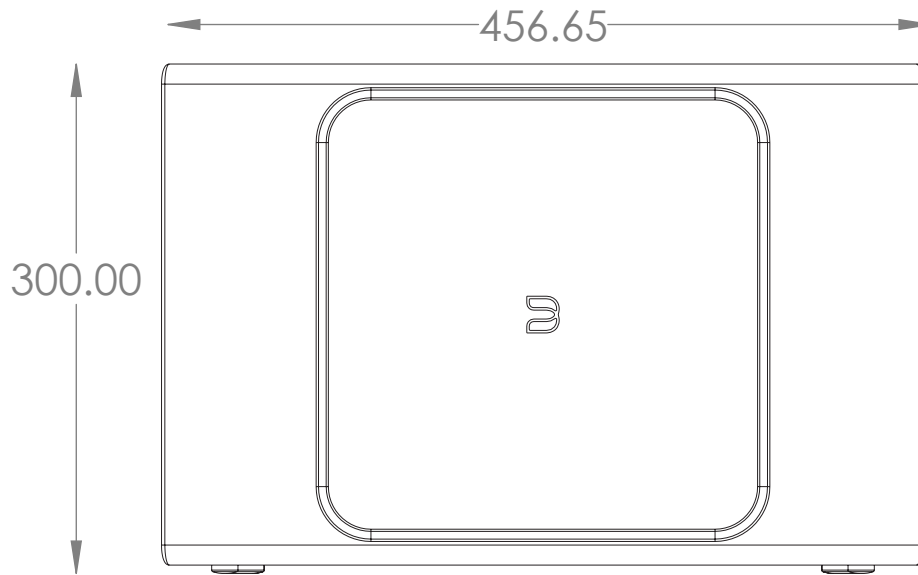
ARCHITECTS & ENGINEERS SPECIFICATION

The network streaming subwoofer shall allow for the playing of material from network attached drives and a wide variety of streaming services such as SoundMachine, Custom Channels, QSIC and internet radio stations. The network subwoofer shall support files up to 192kHz and 24-bit resolution as well as MQA encoded files. Control of the unit shall be possible from PC or Mac computers, Android and iOS mobile devices and third-party control systems. In addition, there shall be the provision for the connection of dedicated wall mount remote control panels to allow for local control of zones. The network subwoofer shall be based on the BluOS platform and shall be compatible with other BluOS devices to form a complete and integrated ecosystem including flexible grouping and control of zones.

The network streaming subwoofer shall have a 8" driver with a frequency response of 22Hz - 150Hz. The 150W power amplifier shall be a high efficiency unit with inbuilt DSP for equalization and other audio processing. Streaming shall be via wired ethernet for increased reliability (with wireless streaming also supported when required). The unit shall have limited physical controls to prevent unauthorized adjustment and software control of the unit shall incorporate security to prevent unauthorized access via other devices.

Wall mounting of the network subwoofer shall also be possible with provided bracket. The subwoofer shall be available in black or white finishes

The network streaming subwoofer shall be the Bluesound Professional BSW150



SPECIFICATIONS

CONNECTIVITY

FEATURES		DIMENSIONS (UNIT)	
Physical Controls	Volume +/-, Function Mode	W x H x D	457mm x 300mm x 146mm (17.99" x 11.81" x 5.74") (not including feet or wall bracket)
App Controls	Volume +/-, Variable Crossover Frequency Variable Phase	Gross Dimensions	555mm x 440mm x 235mm (21.8" x 17.3" x 9.25")
Universal Voltage	100V-240V, 50/60Hz	Net Weight	7.9 kg (17.5 lbs)
Low Power Mode	Network Standby	Shipping Weight	12.69 kg (28lbs)
Finish	Black, White	Network	Gigabit Ethernet RJ45 Wi-Fi 5 (802.11ac, dual-band)
FREQUENCY RANGE	Response-On Axis @ 0 degrees +/- 2dB: 22Hz - 150Hz LF Cutoff -10dB: 20Hz	USB	Type-A (upgrade only); Type B (min) for service
ACOUSTIC DESIGN		Audio Input	Mono Low/Line Level Input
Woofer (Nominal)	8" (203mm) Polypropylene cone, Rubber Surround	Power	Universal bi-pin AC Cord input (100 - 240AC)
Crossover	50Hz - 150Hz, LFE setting	USER INTERFACE	
AMPLIFIER POWER		Mobile Operating System	BluOS - Free Android and iOS App available online at Google Play and Apple App Store
Continuous	150W	GENERAL	
Dynamic	150W	Processor	ARM® CORTEX™ A9, 1 GHz
Dynamic Peak	200W	Storage Environment	-10° C to 50° C, 20% to 80% relative humidity
Type	CLASS D	Operating Environment	0° C to 40° C